

TECHNICAL SPECIFICATION – 4500 PSI CAVITATION CLEANER

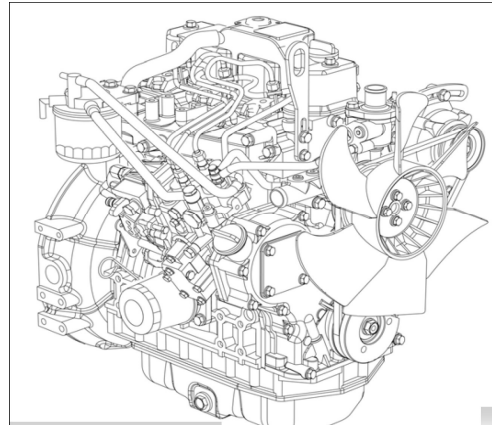
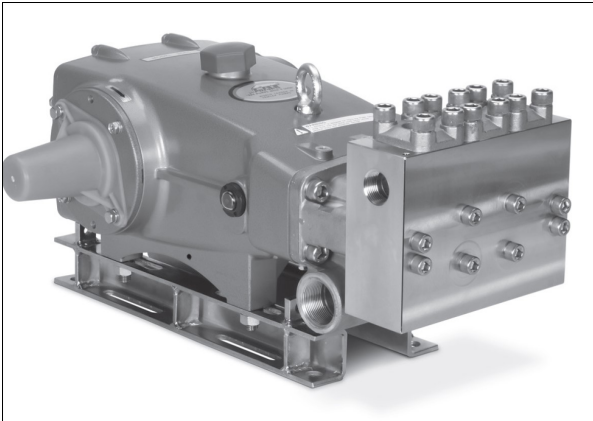
Unit Name: SAT- CAVIT– 4500 - 1

4500 PSI Pump Unit skid mounted with 4 x lifting lugs @ 1.0 tons with the listed equipment below :

- Diesel Engine Driven – Yanmar 4TNV98 (60 HP)
- Triplex Pump – CAT 3560 (21 GPM / 4500 PSI)
- 150L Diesel Tank
- Diaphragm pump for Feed water Suction
- Start / Stop panel
- Dedicated slings (loose item)

Accessories

- 1 x Cavitation Cleaning gun (rated working pressure at 7000 psi)
- 100m High pressure hose



Six Alliance Technologies Pte. Ltd.
24 Pioneer Crescent, #03-09 West Park BizCentral,
Singapore, 628557